

MALIBU II

One-piece Toilet, RF
NSC-6360

WaterSense® & cUPC Certificate

Features:

- Vitreous china one-piece toilet
- Chair-height (16-1/2")
- MicroGlaze™ anti-microbial stain resistant glaze
- 12" (305mm) rough-in
- Ultra compact – less than 25" front to back

EcoQUATTRO™ Flushing System:

- High-performance, gravity flush
- 1.28 gallons (4.8 liters) per flush – EPA WaterSense, high-efficiency toilet (HET)
- Fully glazed, 2-1/8" internal trapway
- Oversized 3" flush valve
- Large 9" x 7" water surface area and optimized rim jets, for an exceptionally clean bowl



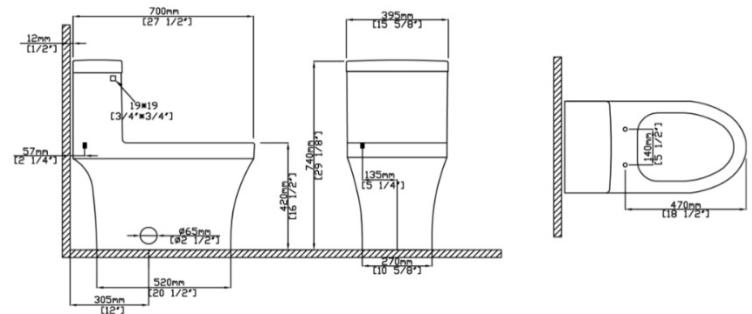
Accessories Included:

- Silent close, quick release seat and cover
- Solid metal trip lever (polished chrome finish)
- Bolt alcove cover tiles (set of 2)

Quality Assurance:

- Factory flush-tested
- 1 year warranty, parts only

Dimensions:



**Dimensions are nominal and may vary within the range of tolerance per NSI Standard A112.19.2. These measurements are subject to change. No responsibility is assumed for the use of superseded or voided pages.*



Available exclusively at:

CHESTER BUILDING SUPPLIES

902-275-5512 | chester@castleatlantic.ca

NOVA SCOTIA BUILDING SUPPLIES

902-624-8328 | blockhouse@castleatlantic.ca

MUSE II

One-piece Toilet, CEL

NSC-6690

WaterSense® & cUPC Certificate

Features:

- Vitreous china one-piece toilet
- Chair-height (16-1/2")
- MicroGlaze™ anti-microbial stain resistant glaze
- 12" (305mm) rough-in
- Compact elongated bowl
- Rimless wash – large twin jets with open rim to facilitate a powerful flush and better hygiene

EcoQUATTRO™ Flushing System:

- High-performance, gravity flush
- 1.28 gallons (4.8 liters) per flush – EPA WaterSense, high-efficiency toilet (HET)
- Fully glazed, 2-1/8" internal trapway
- Oversized 3" flush valve
- Large 9" x 7" water surface area and optimized rim jets, for an exceptionally clean bowl

Accessories Included:

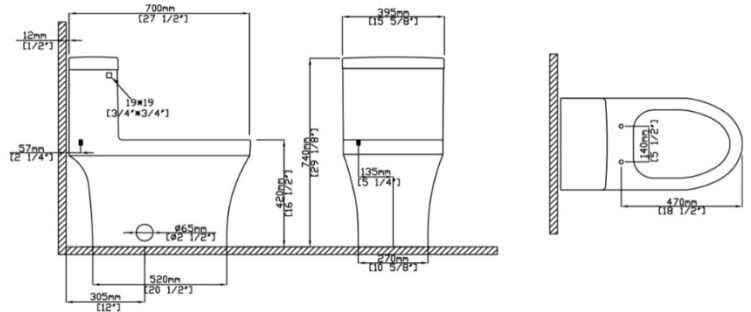
- Silent close, quick release seat & cover
- Solid metal trip lever (polished chrome finish)
- Bolt alcove cover tiles (set of 2)

Quality Assurance

- Factory flush-tested
- 1 year warranty, parts only



Dimensions:



**Dimensions are nominal and may vary within the range of tolerance per NSI Standard A112.19.2. These measurements are subject to change. No responsibility is assumed for the use of superseded or voided pages.*



Available exclusively at:

CHESTER BUILDING SUPPLIES

902-275-5512 | chester@castleatlantic.ca

NOVA SCOTIA BUILDING SUPPLIES

902-624-8328 | blockhouse@castleatlantic.ca

MALIBU II TOP FLUSH

One-piece Toilet, CEL

NSC-6250

WaterSense® & cUPC Certificate

Features:

- Vitreous china one-piece toilet
- Chair-height (16-1/2")
- MicroGlaze™ anti-microbial stain resistant glaze
- 12" (305mm) rough-in
- Compact elongated bowl
- Rimless wash – large twin jets with open rim to facilitate a powerful flush and better hygiene

EcoQUATTRO™ Flushing System:

- High-performance, gravity flush
- 1.28 gallons (4.8 liters) per flush – EPA WaterSense, high-efficiency toilet (HET)
- Fully glazed, 2-1/8" internal trapway
- Oversized 3" flush valve
- Large 9" x 7" water surface area and optimized rim jets, for an exceptionally clean bowl

Accessories Included:

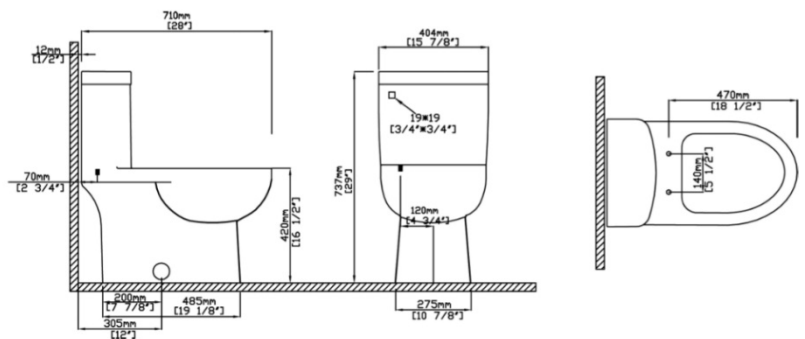
- Silent close, quick release seat & cover
- Top flush button
- Bolt alcove cover tiles (set of 2)

Quality Assurance

- Factory flush-tested
- 1 year warranty, parts only



Dimensions:



**Dimensions are nominal and may vary within the range of tolerance per NSI Standard A112.19.2. These measurements are subject to change. No responsibility is assumed for the use of superseded or voided pages.*



Available exclusively at:

CHESTER BUILDING SUPPLIES

902-275-5512 | chester@castleatlantic.ca

NOVA SCOTIA BUILDING SUPPLIES

902-624-8328 | blockhouse@castleatlantic.ca